



Cat[®] 906M

COMPACT WHEEL LOADER

FEATURES:

The Cat[®] 906M delivers high performance with outstanding versatility. Spacious cab with joystick control keeps you comfortable throughout the work day, allowing you to get more done. Loader design delivers strength and durability with superior control.

- **High Performance** – With its high full turn tipping loads and breakout forces, the M Series delivers a powerful solution for all customer applications.
- **Ease of Operation** – State of the art electrohydraulic system provides low effort, fine control with fast cycle times. All-in-one joystick helps keep eyes on the work. Operator can adjust machine responsiveness with the push of a button, which allows the operator to set up the machine exactly the way they want it based on the application.
- **Cat Optimized Z-bar Loader Linkage** – The Cat optimized Z-bar loader linkage combines the digging efficiency of a traditional Z-bar with tool carrier capabilities for great performance and versatility. With parallel lift and high tilt forces throughout the working range you can safely and confidently handle loads with precise control.
- **Power Train** – Heavy duty axles and 100% diff-lock come standard on both the 20 km/h (12 mph) standard speed machine as well as the 35 km/h (22 mph) high speed option. Ride control is also available as an option, for added comfort and load retention when having to travel longer distances.
- **Versatility** – Whether using a Pin-On, ISO (wide) or Skid Steer Loader (SSL) style coupler, combined with standard flow or optional high flow hydraulics, the Cat Compact Wheel Loaders can use a large range of work tools including hydro mechanical work tools.
- **Serviceability** – The design of the M Series allows quick and easy servicing. Tilt up engine hood and side service doors give exceptional access to the major components safely from ground level. S-O-SSM oil ports and pressure test points enable easy preventative maintenance.
- **Cab** – High visibility cab increases comfort with an available deluxe seat, intuitive controls and settings. Optional soft touch pad contains new electronic functions and settings including Implement Modulation and Hystat Aggressiveness, Ride Control, Return to Dig, Lift Kickout, Engine Speed Control, and Rimpull Control. Optional built-in Machine Security System prevents machine theft.

Specifications

Engine

Engine Model	Cat C3.3B DIT*	
Rated Net Power @ 2,500 rpm		
SAE J1349	51 kW	68 hp
Maximum Gross Power		
ISO 14396	55 kW	73 hp
SAE J1995	55 kW	74 hp
Maximum Net Power		
ISO 9249	52 kW	69 hp
SAE J1349	51 kW	68 hp

*The Cat C3.3B DIT engine meets U.S. EPA Tier 4 Final/EU Stage IIIB (M Series) or Tier 4 Interim/Stage IIIA (M Series [EUSO]) emission standards.

Weight

Operating Weight	5600 kg	12,346 lb
------------------	---------	-----------

Note: Machine with full fuel tank, ROPS/FOPS cab, 80 kg (176 lb) operator, skid steer loader coupler (SSL) and general purpose bucket (GP).

Buckets

Bucket Capacities		
ISO Coupler	0.75-1.2 m ³	
SSL Style Coupler	1.0-1.6 yd ³	

Travel Speeds

Speed 1	10 km/h	6.2 mph
Speed 2	20 km/h	12.4 mph
High Speed	35 km/h	21.7 mph

Hydraulic System

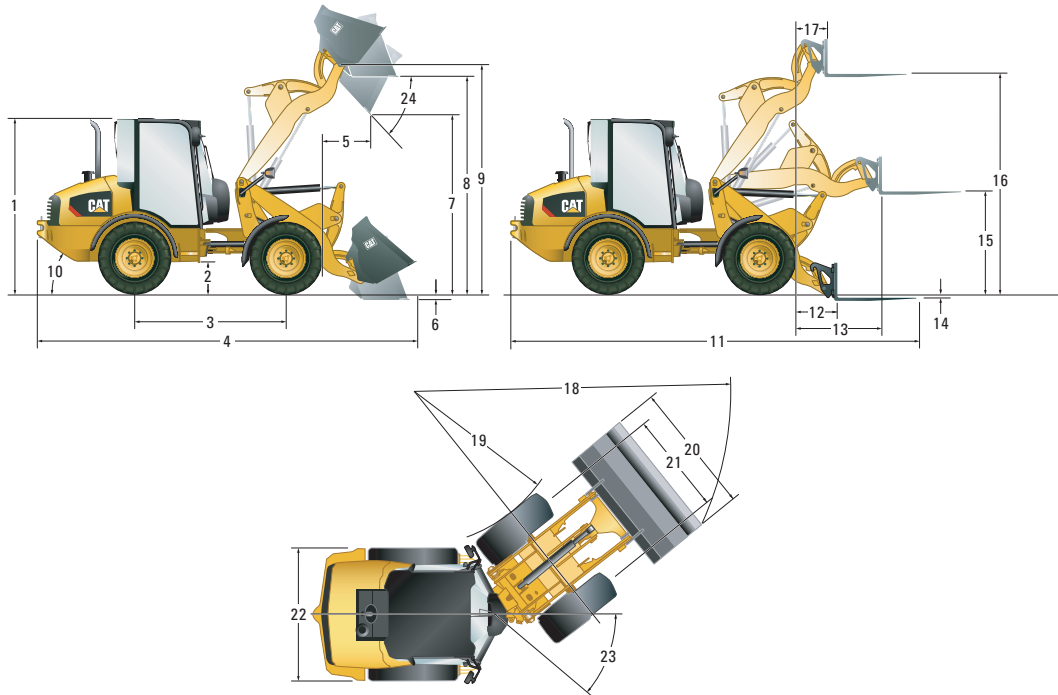
Main Relief – 3rd Aux Flow	235 bar	3,400 psi
Standard	76 L/min	20 gal/min
High Flow	120 L/min	31 gal/min
Hydraulic Cycle Time		
Lift	5.2 seconds	
Lower	3.2 seconds	
Dump	1.3 seconds	
Rack Back	2.1 seconds	

Service Refill Capacities

Cooling System	17 L	4.5 gal
Fuel Tank	52 L	13.7 gal
Hydraulic System	70 L	18.5 gal
Engine Oil	11.2 L	3.0 gal



906M Compact Wheel Loader



Dimensions

(All dimensions are approximate. Dimensions shown are based on the machine equipped with general purpose bucket and standard 405/70 SPT9 tires.)

	With ISO Coupler		With SSL Coupler	
1 Cab Height	2465 mm	8 ft 1 in	2465 mm	8 ft 1 in
2 Ground Clearance	300 mm	11.8 in	300 mm	11.8 in
3 Wheelbase	2170 mm	7 ft 1 in	2170 mm	7 ft 1 in
4 Overall Length with Bucket	5649 mm	17 ft 11 in	5585 mm	18 ft 4 in
5 Reach at Maximum Dump Height	725 mm	2 ft 4 in	810 mm	2 ft 8 in
6 Dig Depth	95 mm	3.7 in	90 mm	3.5 in
7 Maximum Dump Height	2478 mm	8 ft 1 in	2395 mm	7 ft 10 in
8 Load Over Height	3027 mm	9 ft 11 in	3035 mm	9 ft 11 in
9 Hinge Pin at Maximum Height	3227 mm	10 ft 7 in	3230 mm	10 ft 7 in
10 Departure Angle (Degrees)	33°		33°	
11 Overall Length with Forks	5915 mm	19 ft 4 in	5945 mm	19 ft 6 in
12 Reach at Ground Level	720 mm	2 ft 4 in	750 mm	2 ft 6 in
13 Maximum Reach	1215 mm	3 ft 11 in	1265 mm	4 ft 2 in
14 Fork Depth Below Ground (Above Ground)	25 mm	1.0 in	(45 mm)	(1.8 in)
15 Fork Height at Maximum Reach	1425 mm	4 ft 8 in	1490 mm	4 ft 11 in
16 Maximum Fork Height	3090 mm	10 ft 1 in	3160 mm	10 ft 4 in
17 Fork Reach at Maximum Height	445 mm	1 ft 5 in	505 mm	1 ft 8 in
18 Turning Radius Over Bucket	4420 mm	14 ft 6 in	4445 mm	14 ft 7 in
19 Turning Radius Inside Tire	2240 mm	7 ft 4 in	2240 mm	7 ft 4 in
20 Width Over Bucket	1890 mm	6 ft 2 in	1880 mm	6 ft 2 in
21 Tire Gauge	1420 mm	4 ft 8 in	1420 mm	4 ft 8 in
22 Machine Width	1840 mm	6 ft	1840 mm	6 ft
23 Articulation Angle (Degrees)	39°		39°	
24 Dump Angle at Maximum Height (Degrees)	45°		45°	

906M Compact Wheel Loader

Operating Specifications

Machine with full fuel tank, ROPS/FOPS cab, 80 kg (176 lb) operator, either SSL or ISO coupler and general purpose bucket (GP).

Coupler Type	ISO		SSL	
	405/70 R18		405/70 R18	
Tire Size	405/70 R18		405/70 R18	
Operating Weight	5545 kg	12,221 lb	5600 kg	12,346 lb
Rated Bucket Capacity	0.9 m ³	1.2 yd ³	0.9 m ³	1.18 yd ³
Breakout Force, Bucket	52 kN	11,689 lb	42 kN	9,442 lb
Rated Operating Load at Full Turn, Bucket	1808 kg	3,986 lb	1703 kg	3,754 lb
Straight Tipping Load, Bucket)	4435 kg	9,778 lb	4180 kg	9,215 lb
Full Turn Static Tipping Load, Bucket	3615 kg	9,970 lb	3405 kg	7,507 lb
Rack Back, Transport Position	52°		52°	
Rated Operating Load at Full Turn, Forks (EN 474-3:2006, firm and level ground, 1.25 stability and 500 mm [20 in] load center)	2200 kg	4,848 lb	2065 kg	4,553 lb

Cab Features

Standard Cab Features	Comfort Cab	Deluxe Cab	Canopy
Cup Holder	•	•	•
Two Access Doors	•	•	
Fixed Steering Column			•
Adjustable Steering Column	•	•	
Vinyl Suspension Seat			•
Cloth Suspension Seat, Arm Rest	•		
Cloth, Electric Air Suspension, Arm/Head Rest, Lumbar Support and Heated Back Seat		•	
Left Window – Sliding	•	•	
Right Window – Sliding		•	
Heated Rear Window	•	•	
Coat Hook	•	•	•
Cabin Light	•	•	
Sun Visor	•	•	•
Radio-ready Kit (wiring, speaker, aerial and grilles)		•	
External Knock Back Mirrors	•	•	•
Lockable Storage Box	•	•	•
Adjustable Internal Mirror	•	•	•
Heater	•	•	
Optional Cab Features			
Air Conditioner	•	•	
Cat Radio/CD/MP3/WMA/AUX	•	•	
Rear Blind	•	•	
Machine Security System	•	•	
Radio-ready Kit (wiring, speaker, aerial and grilles)	•		

Maximum Material Densities

Based on ISO 7546:1983, and rated operating loads at full turn.

Bucket Type	General Purpose		Multi Purpose		Light Material	
Rated Capacity	0.9 m ³	1.2 yd ³	0.75 m ³	1.0 yd ³	1.2 m ³	1.6 yd ³
Dump Height	2395 mm	94 in	2470 mm	97 in	2285 mm	90 in
Maximum Material Density	1755 kg/m ³	2,958 lb/yd ³	2131 kg/m ³	3,592 lb/yd ³	1208 kg/m ³	2,036 lb/yd ³
Bucket Width	1880 mm	74 in	1880 mm	74 in	2080 mm	82 in

906M Compact Wheel Loader

STANDARD EQUIPMENT

TRANSMISSION/HYDRAULICS

- 100% differential lock on both axles, selectable on the move
- 18° frame oscillation, 78° articulation
- Transmission, 20 km/h (12.4 mph) with heavy duty axles
- Transmission inching function
- Hydrostatic drive
- Work tool quick coupler
- Proportional auxiliary hydraulic circuit
- Loader arm float function
- Connect under pressure hydraulic quick connector
- Parallel lift Z-bar loader
- Demand based cooling fan

ENGINE

- Cat C3.3B DIT Tier 4 Final/Stage IIIB (M Series) or Tier 4 Interim/Stage IIIA (M Series [EUSO]) engine
- Two stage air cleaner with visual indicator
- Cat extended life coolant
- Lockable engine compartments
- Easy quick release fuel filter/water separator
- Engine oil drain valve (non spill eco drain)
- Closed circuit breather
- Eco Mode

ELECTRICAL

- Cab mounted fuse panel
- Battery disconnect switch
- Heavy duty battery, 12V
- Engine cold starter aid
- Alternator 90 amp
- Service point connector for electronic diagnostics (Electronic Technician™)
- Reverse alarm

GENERAL

- E-coat paint primer
- Pressure test points
- Recovery hitch and pin
- Scheduled Oil Sampling S-O-S ports

OPERATOR ENVIRONMENT

- Cup holder
- Sun visor
- ROPS and FOPS certified canopy/cab
- Adjustable wrist rest
- Retractable seat belt

- Auxiliary power sockets
- Coat hook
- On board digital display cluster
- Sound suppression
- Multifunction joystick with direction control
- Two external knock back mirrors
- Warning indicators for major systems
- Easy clean cab floor
- Lockable storage box
- Adjustable internal mirror
- Operator station on isolation mounts
- Digital service hour meter
- Gauges: fuel hydraulic temp, coolant temp, speedometer
- Warnings: master, park brake, hydraulic oil pressure, engine oil pressure, coolant temp, electrical system, hydraulic filter bypass
- Suspended brake/accelerator pedals
- Suspension seat

OPTIONAL EQUIPMENT

TRANSMISSION

- Adjustable speed control (creeper control)
- Rimpull control
- Electronic throttle lock
- Adjustable Hystat response settings
- Ride control
- Speeder, 35 km/h (21.7 mph) with secondary steering

LOADER

- High flow auxiliary hydraulics with pressure relieving quick disconnect manifold
- Load check valves
- Return to dig work tool positioner
- Adjustable implement modulation

ENGINE

- Engine block heater 120V
- Precleaner for engine air filter

ELECTRICAL

- Machine Security System (MSS)
- Magnetic rotating beacon
- Work tool wiring harness
- Working lights, two front and two rear

GENERAL

- Custom color
- Rear light guards
- Tire options including heavy duty tires

FLUIDS

- Cat extended life coolant (-50° C/-58° F)

OPERATOR ENVIRONMENT

- Air conditioning
- Cat radio/CD/MP3/WMA/AUX
- Comfort cab includes: cloth suspension seat, heated rear window, sliding left window, coat hook, sun visor, radio ready and lockable storage box

- Deluxe cab includes: Comfort cab options plus heated cloth air suspension seat with lumbar support and right sliding window
- Radio ready kit including speakers (enclosed cab)
- Two doors (enclosed cab)
- Heated rear window (enclosed cab)
- Cabin light (enclosed cab)
- Pressurized cab (enclosed cab)
- Heater with window, side and feet vents (enclosed cab)
- Wiper/washer front and rear (enclosed cab)
- Rear blind

WORK TOOLS

- For all work tools and standard/high flow options (consult your Cat dealer)

For more complete information on Cat products, dealer services, and industry solutions, visit us on the web at www.cat.com

AEHQ7413 (03-15)

© 2015 Caterpillar
All Rights Reserved

Materials and specifications are subject to change without notice. Featured machines in photos may include additional equipment. See your Cat dealer for available options.

CAT, CATERPILLAR, SAFETY.CAT.COM, their respective logos, "Caterpillar Yellow" and the "Power Edge" trade dress, as well as corporate and product identity used herein, are trademarks of Caterpillar and may not be used without permission.

