



Cat[®] TH414C GC

TELEHANDLER

Specifications

Engine

Model	TCD 3.6 L4*
Gross Power	74.4 kW 101 Ch/CV/Ps 100 hp/BHP
Maximum Torque	409 N·m @ 1,600 rpm
Bore	98 mm
Stroke	120 mm
Displacement	3.6 L

*Meets EU Stage IIIB Emission Standards.

Weights

Operating Weight with Carriage and Forks	10 095 kg
--	-----------

Operating Specifications

Rated Load Capacity	3600 kg
Maximum Lift Height	
Stabilizers Up	13 850 mm
Stabilizers Down	13 850 mm
Maximum Forward Reach	8680 mm
Top Travel Speed	24.6 km/h
Load at Maximum Height	
Stabilizers Up	1500 kg
Stabilizers Down	3000 kg
Load at Maximum Reach	
Stabilizers Up	100 kg
Stabilizers Down	900 kg
Outside Turning Radius Over Tires	3860 mm

Service Refill Capacities

Fuel Tank	150 L
Hydraulic Tank	102 L

Tires

Standard	15.5/80-24
----------	------------

Brakes

Service Brakes	Servo assisted front and rear axle brakes
Parking Brakes	Mechanical on front axle

Hydraulic System

Maximum System Pressure	270 bar
Maximum Pump Flow	100 L/min
Pump Type	Gear pump
Auxiliary Hydraulic Supply	95 L/min

Transmission Speeds

Forward	
1	4.7 km/h
2	10 km/h
3	24.6 km/h
Reverse	
1	4.7 km/h
2	10 km/h
3	24.6 km/h

Boom Performance

Boom Up	15.3 seconds
Boom Down	10.8 seconds
Tele In	14.84 seconds
Tele Out	11.2 seconds
Crowd Forward (dump)	2.63 seconds
Crowd Backward	2.27 seconds
Combined	
Up and Out	27 seconds
Down and In	19.5 seconds
Drawbar Pull 74.5 kW	85 kN
Bucket Breakout Force to ISO 8313	70 kN
Boom Breakout Force	70 kN

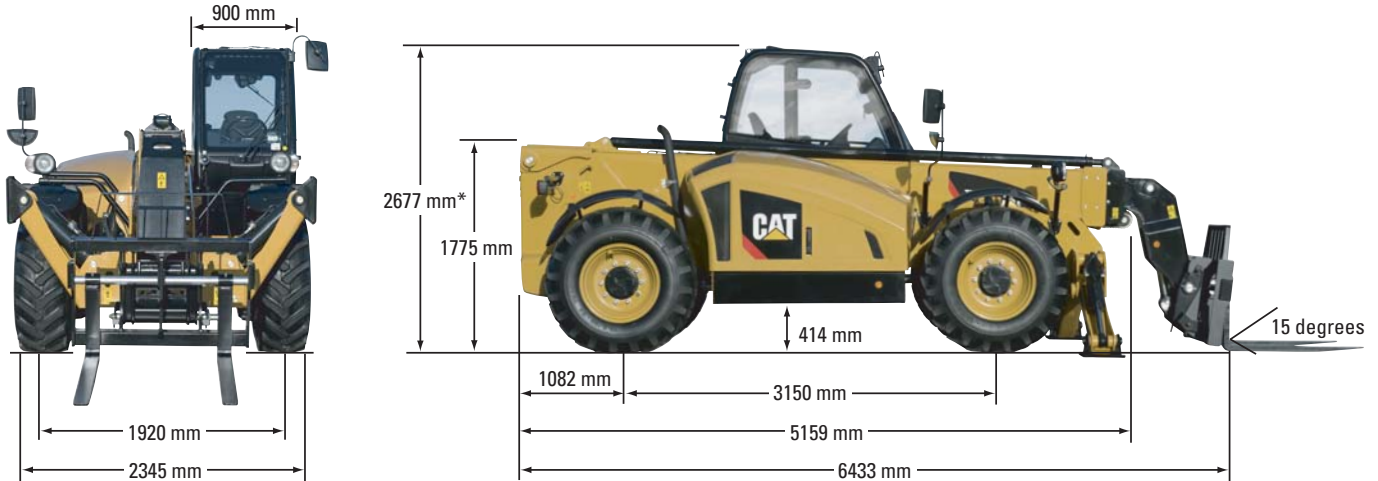
Sound

Operator Sound	80 dB(A)
Exterior Sound (74.5 kW Engine)	106 dB(A)



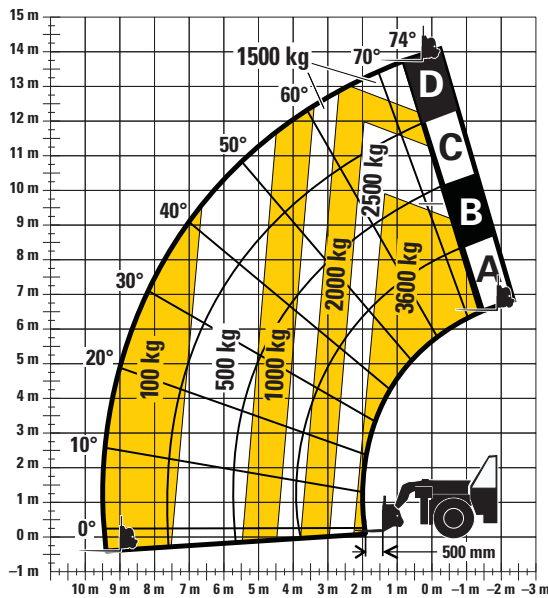
TH414C GC Telehandler

Dimensions (All dimensions are approximate.)

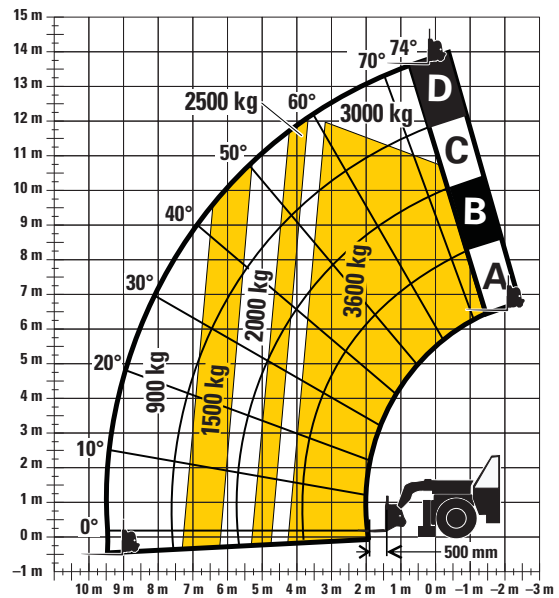


*to overall height add for the following options: 67 mm for roof guard, 25 mm for air conditioning, 182 mm for beacon

Load Chart and Dimensions



Stabilizers Up



Stabilizers Down

IMPORTANT

Rated lift capacities shown are with machine equipped with carriage and pallet forks. The machine must be level on a firm surface with undamaged, properly inflated tires. Machine specifications and stability are based on rated lift capacities at specific boom angles and boom lengths. (If specifications are critical, the proposed application should be discussed with your dealer.)

DO NOT exceed rated lift capacity loads, as unstable and dangerous machine conditions will result.

Use only approved work tools with proper material handler model/work tool load capacity charts displayed.

DO NOT tip the machine forward to determine the allowable load.

Due to continuous product improvements, machine specifications and/or equipment changes may be made without prior notification.

For more complete information on Cat® products, dealer services, and industry solutions, visit us on the web at www.cat.com

© 2014 Caterpillar
All Rights Reserved
Printed in U.S.A.

Materials and specifications are subject to change without notice. Featured machines in photos may include additional equipment. See your Cat dealer for available options.

CAT, CATERPILLAR, SAFETY.CAT.COM, their respective logos, "Caterpillar Yellow" and the "Power Edge" trade dress, as well as corporate and product identity used herein, are trademarks of Caterpillar and may not be used without permission.

AEHQ7257-01 (09-14)
Replaces AEHQ7257

